

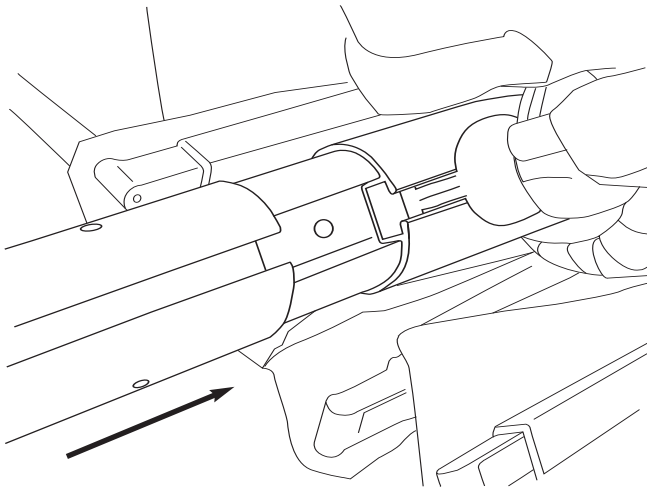
Easy Track [ET₂] Umbrella



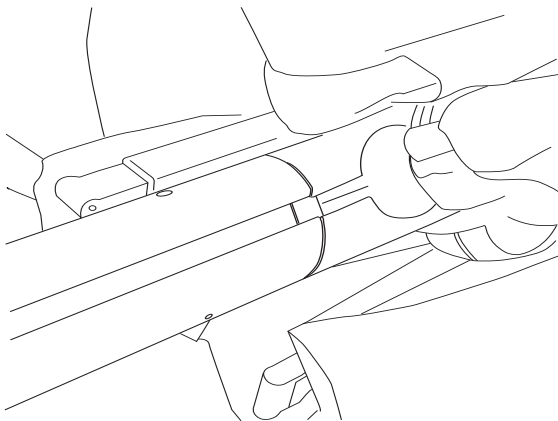
ASSEMBLY INSTRUCTIONS

To Assemble the ET₂ Umbrella

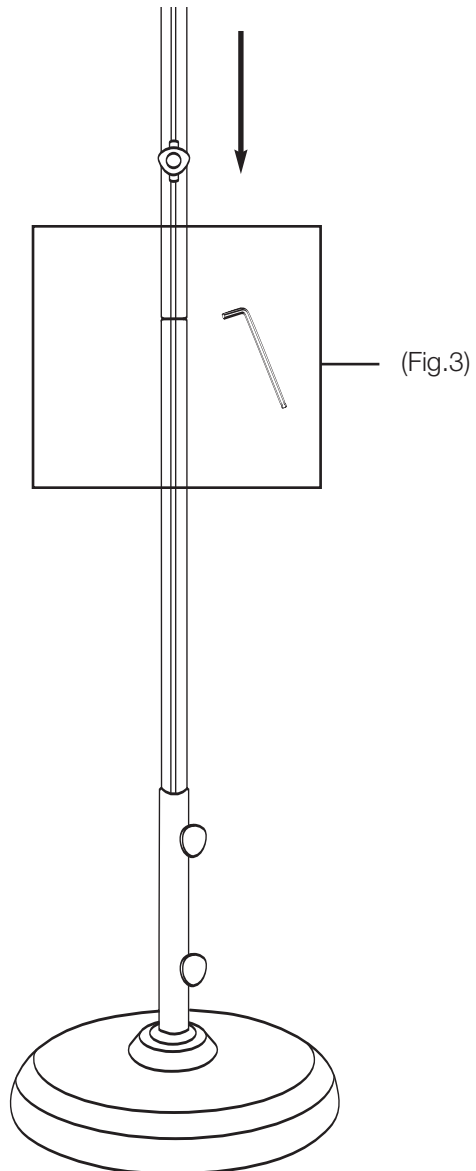
1. Insert Bottom pole (Fig.1) into umbrella frame. (Fig.2) align grooves as shown and slide into frame completely.
2. Using **two-person** team lift, place the umbrella into the dining table or base.
3. Secure bottom pole with frame into place by tightening hex screw (in the track) with the hexagon wrench provided (Fig.3).



(Fig.1)



(Fig.2)



OPERATION INSTRUCTIONS

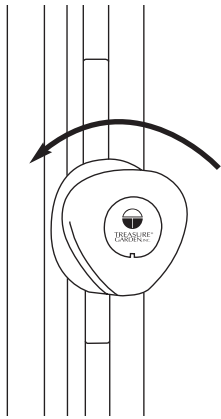
To Open ET₂ Umbrella (Canopy)

1. Turn the Trexagon™ knob in a counter-clockwise motion to release the lock (Fig.1).
 2. Guide the Trexagon™ knob downward until it stops to fully open the canopy (Fig.2).
 3. Turn the Trexagon™ knob in a clockwise motion to lock the opened position (Fig.3).
- (For Locking: 90 degree rotation is sufficient - do not exceed 360 degrees)

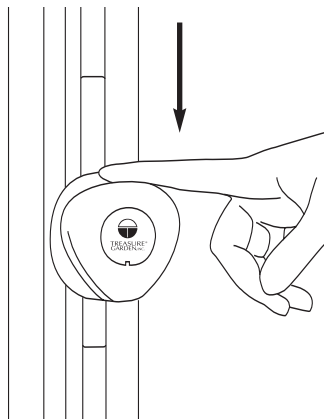
Note about the ET₂ tracking system: This heavy-duty automatic umbrella features an easy-to-use telescoping track system to open and close the canopy with a simple one-finger effort.

To Close ET₂ Umbrella (Canopy)

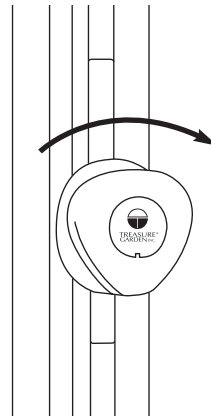
1. Turn the Trexagon™ knob in a counter-clockwise motion to release the lock (Fig.1).
2. Guide the Trexagon™ knob upward until it stops to close the canopy (Fig.4).
3. Turn the Trexagon™ knob in a clockwise motion to lock the closed position (Fig.3).



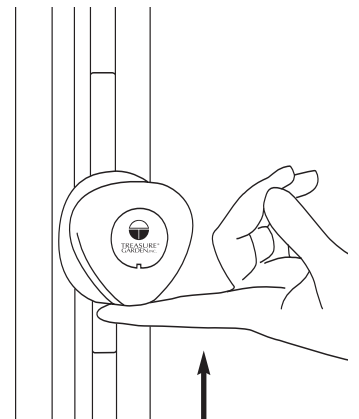
(Fig.1)



(Fig.2)



(Fig.3)



(Fig.4)